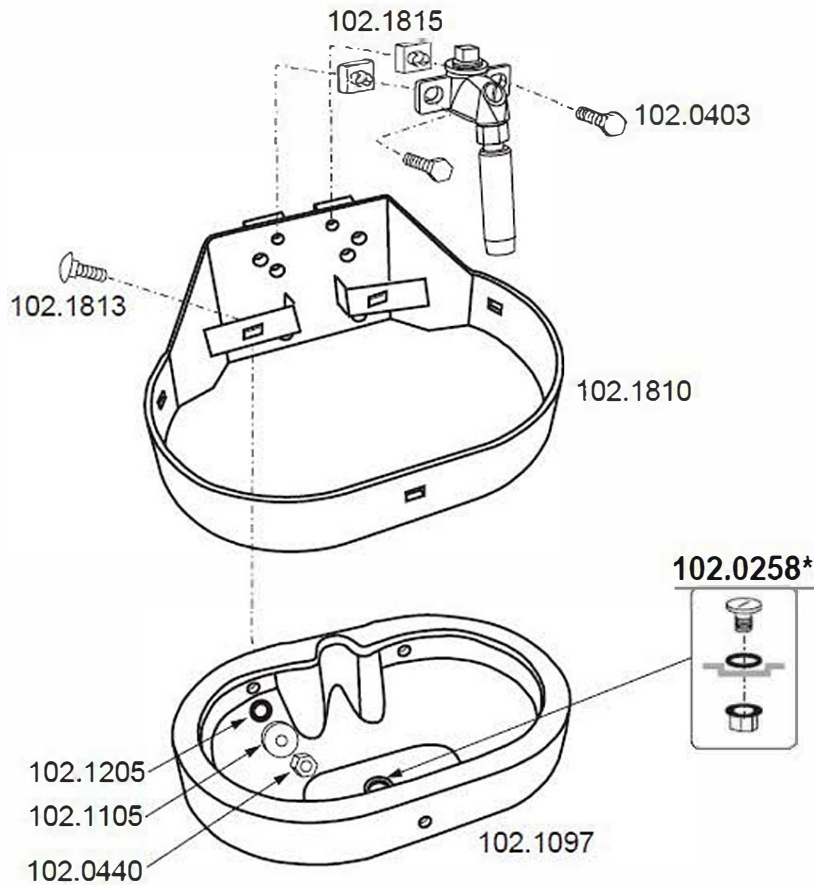


100.0018 Mod. 18P-MS $\frac{1}{2}$ " (nicht mehr lieferbar), 100.0183 Mod. 18P-MS $\frac{3}{4}$ "

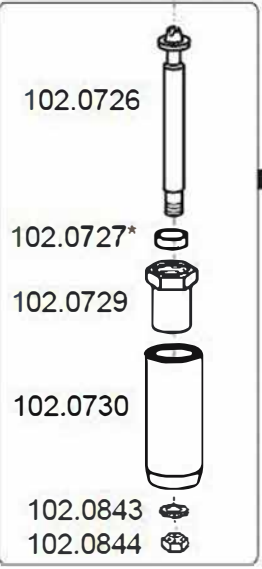
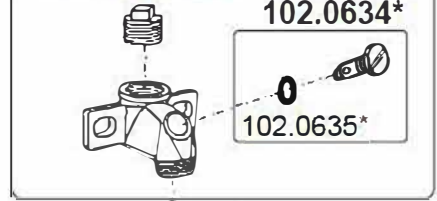


$\frac{1}{2}$ " = 102.0242

$\frac{3}{4}$ " = 102.1575

$\frac{1}{2}$ " = 102.0175*

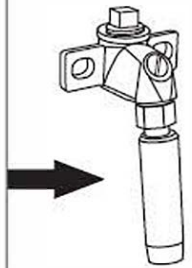
$\frac{3}{4}$ " = 102.1039*



* Multipack

- 102.0175-5
- 102.0258-2
- 102.0634-5
- 102.0635-10
- 102.0673-10
- 102.0727-10
- 102.1039-5
- 102.1425-1

102.1425*



$\frac{1}{2}$ " = 102.0243

$\frac{3}{4}$ " = 102.1576