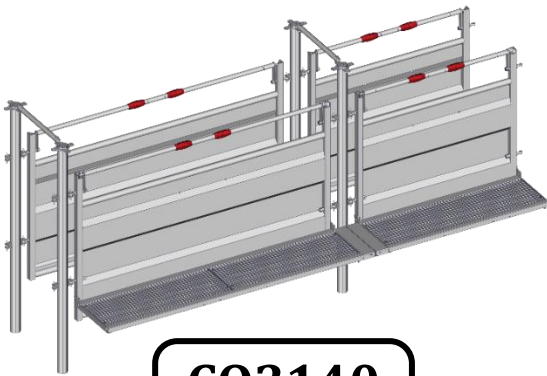




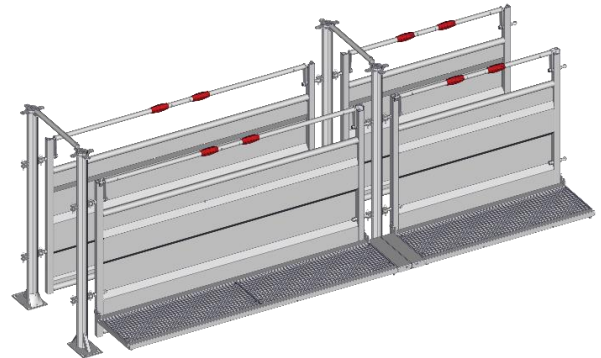
**JOURDAIN**  
www.jourdain-group.com

**C03140**  
**C03141**  
**C03160**  
**C03161**

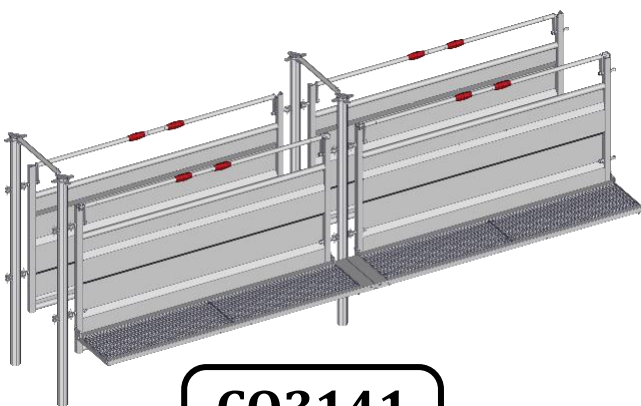
**COULOIR DE CONTENTION  
FIXED RACE FOR HANDLING  
CORRAL FIJO DE MANEJO  
FIXED KORRIDOR FÜR FANGANLAGE**



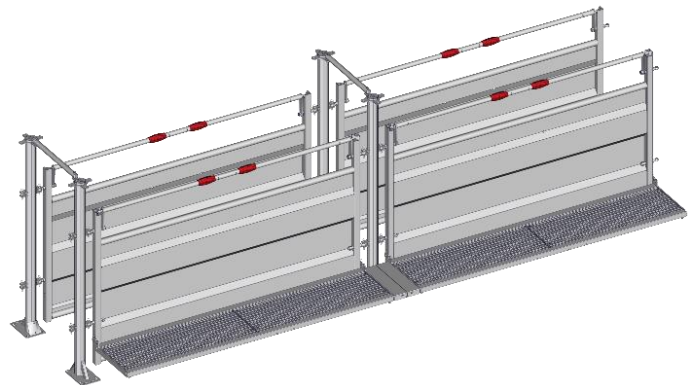
**C03140**



**C03160**



**C03141**



**C03161**

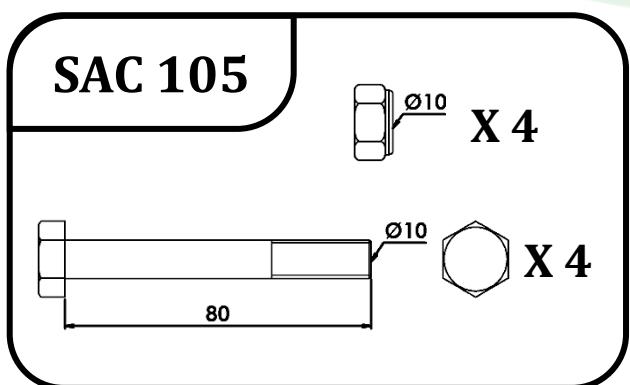
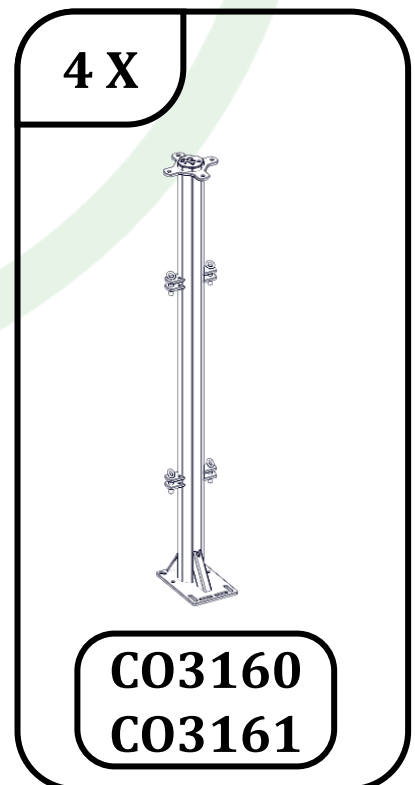
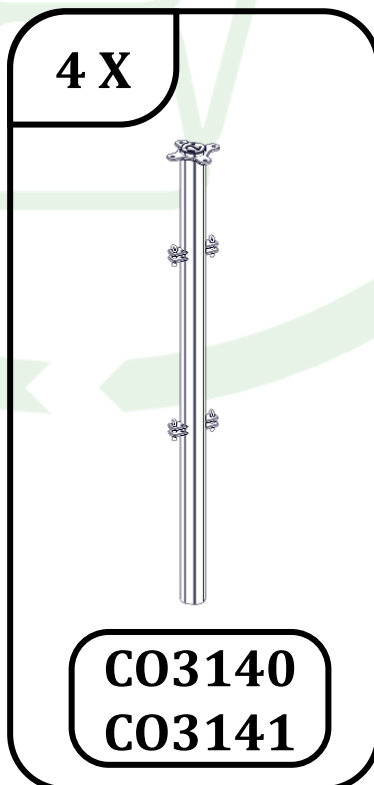
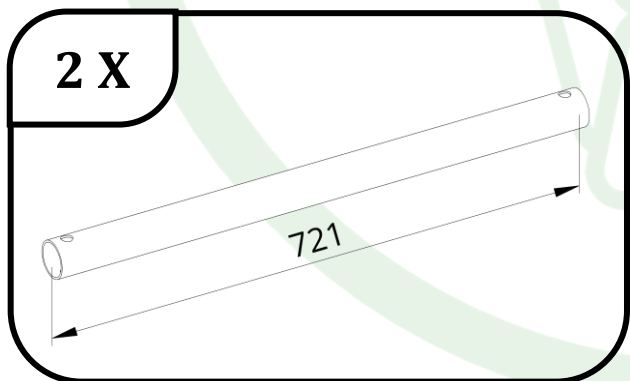
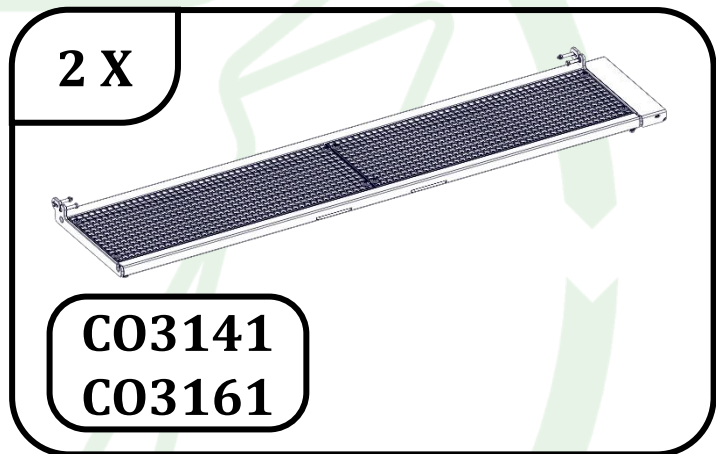
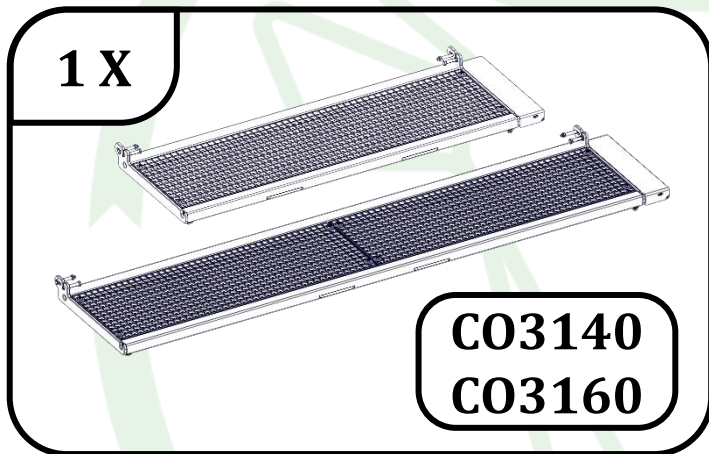
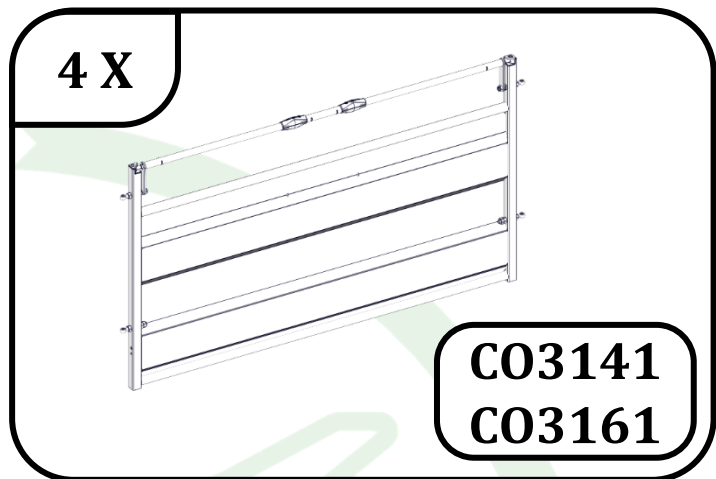
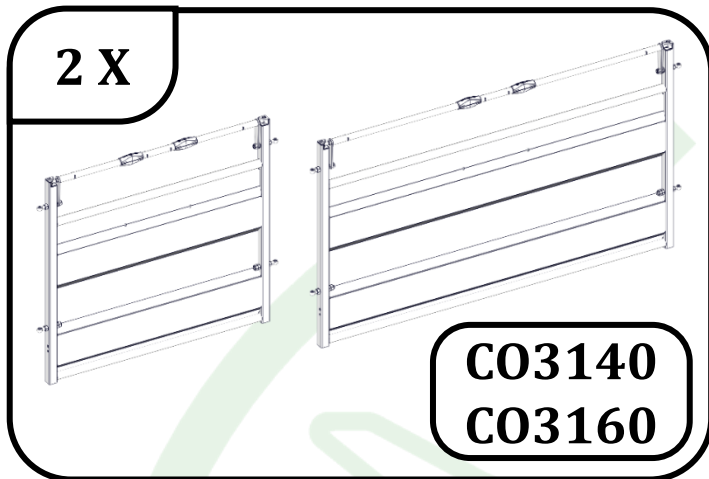
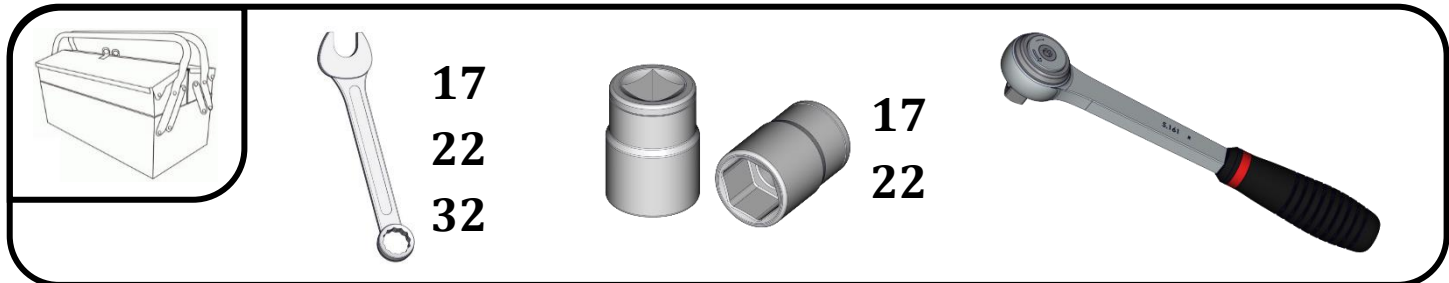


**CONSEIL DE  
POSE  
MOUNTING  
INSTRUCTIONS**

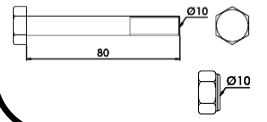


**[WWW.JOURDAIN-GROUP.COM](http://WWW.JOURDAIN-GROUP.COM)**

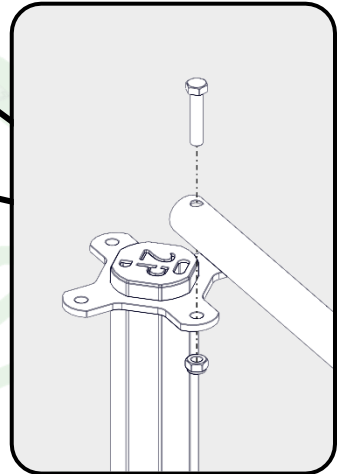
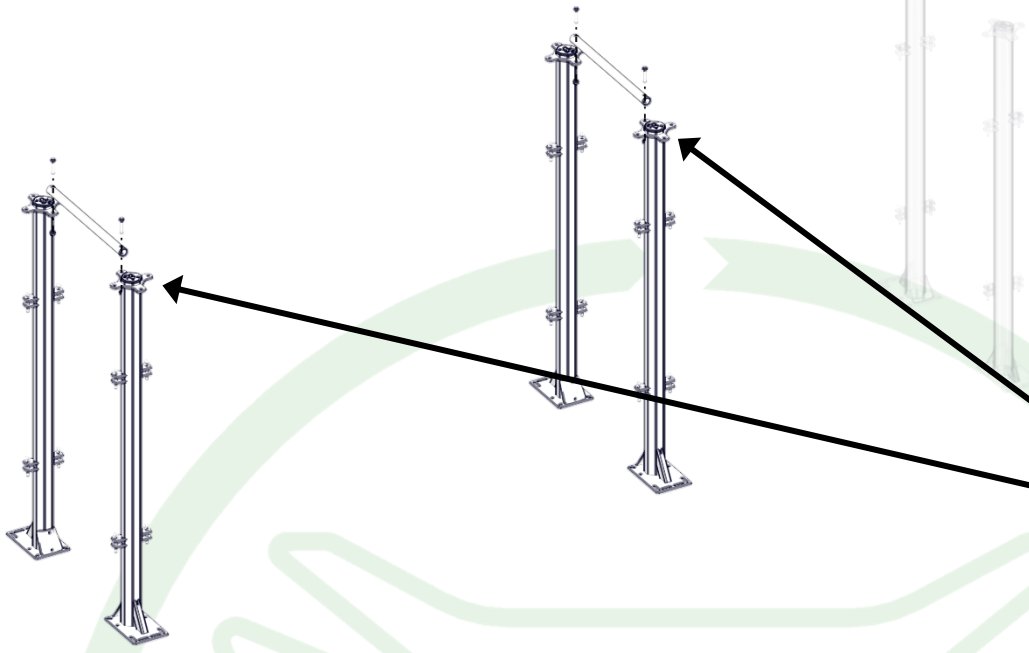
29/05/2019



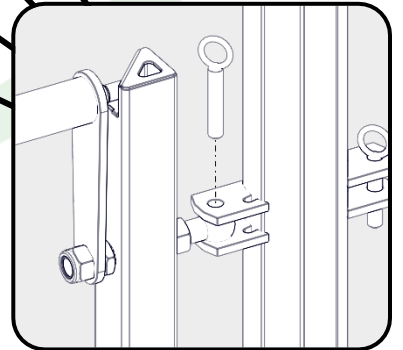
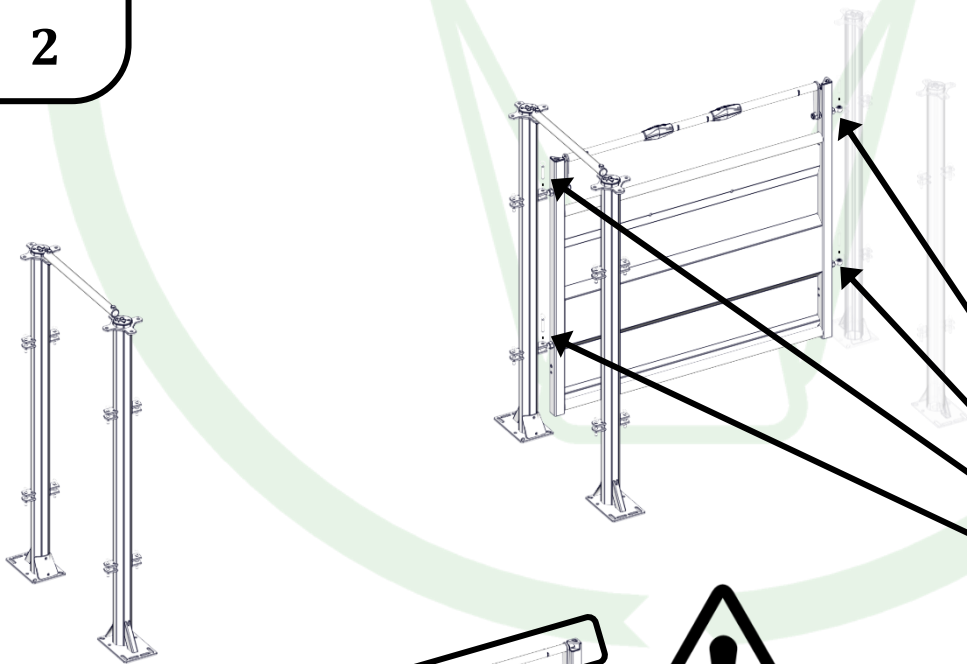
1



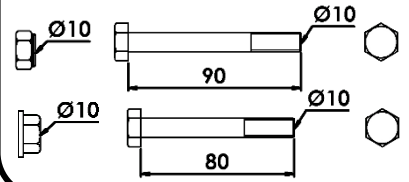
X 4



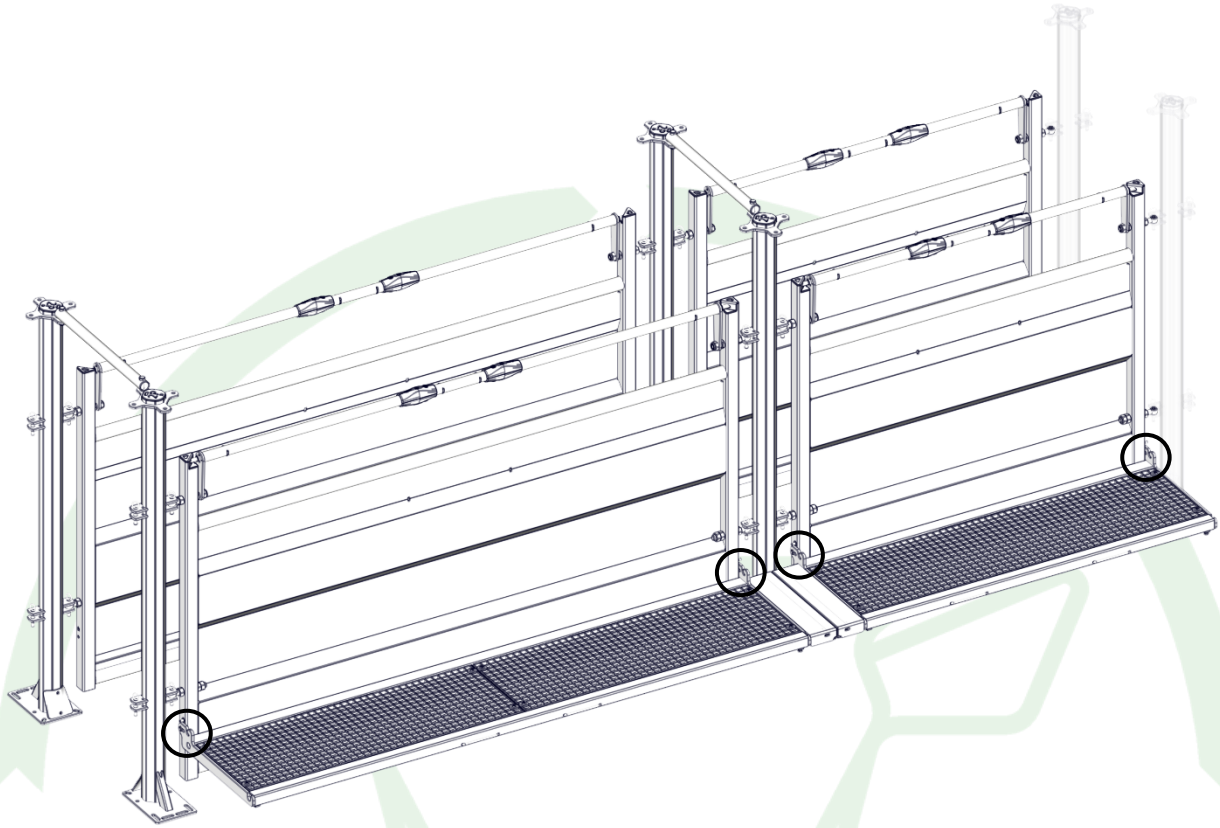
2



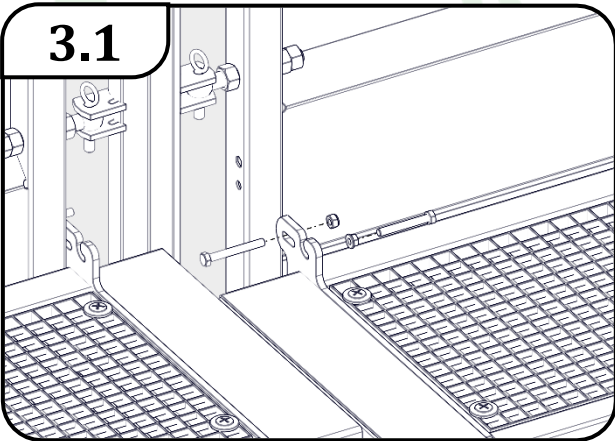
3



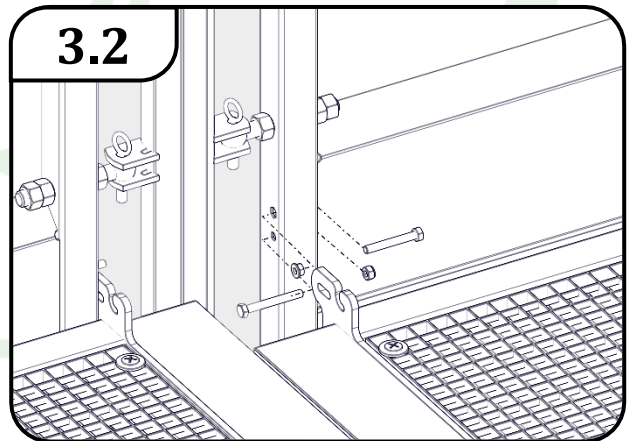
4 X



3.1



3.2



3.3

